

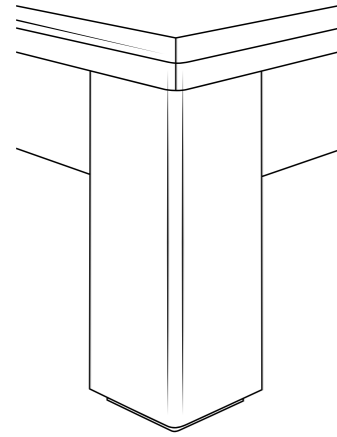
Monocolor
Black is Black.

nueve pies

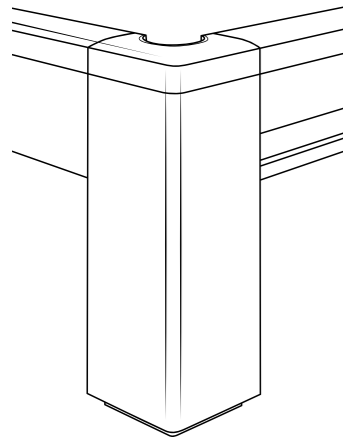


One design. Endless possibilities.

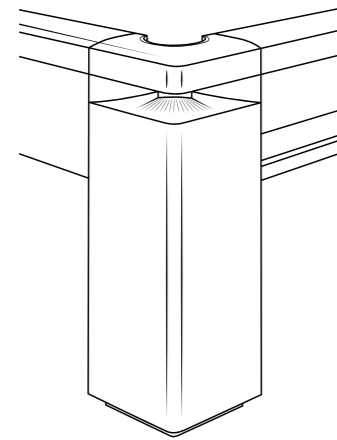
Nuevepies designs unique billiard tables adaptable to two different styles of play – pool and carom billiards. Boasting nine styles and infinite customization options, for those who insist on owning one of the most beautiful billiard tables in the world.



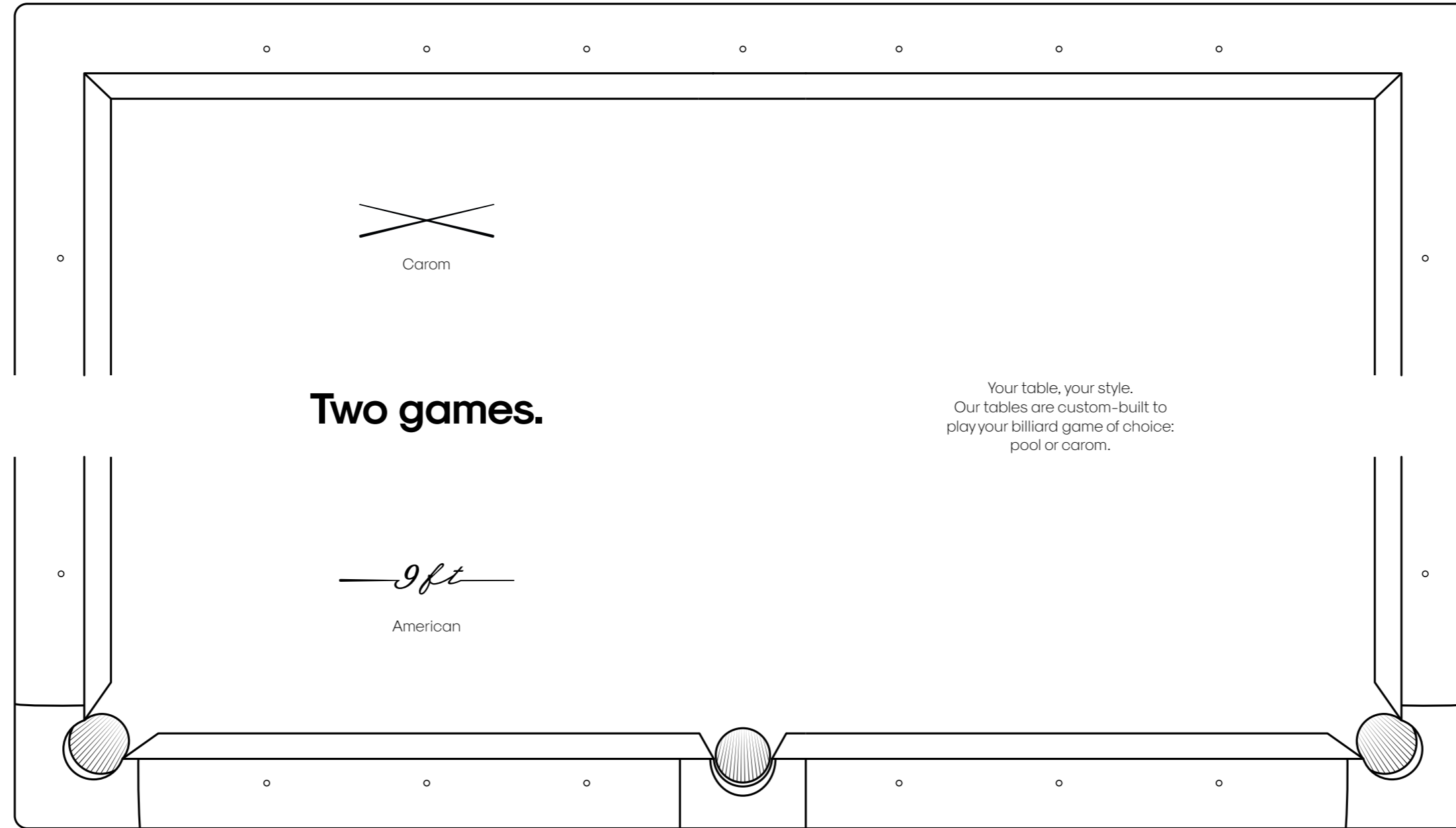
Carom.



American with hidden pocket.



American with open pocket.



Two games.

Your table, your style.
Our tables are custom-built to
play your billiard game of choice:
pool or carom.

The collection.

Basic
Classic
Déco
Monocolor
Fabric
Sport
Specials
By
Art

Features.

Internal construction.

Solid wood rectified in CNC to achieve a perfect planimetry, maintaining the essence of traditional billiard table construction.

Perfect stability.

Steel perimeter frame.

A game of precision.

High density 30 mm thick slate from Beasain (Basque Country), diamond cut to achieve perfect roll.

On balance.

Solid wood legs with a precision manual adjustment system and a spherical support point for exact leveling.

Floor support built from solid aluminum.

Measures.

292 x 165 x 76 cm (Length x Width x Height)
115 x 65 x 30 inches



Perfect bounce.

Professional Kleber rails that guarantee a perfect bounce and excellent durability. Fixed to the frame by a demountable mechanical connection.

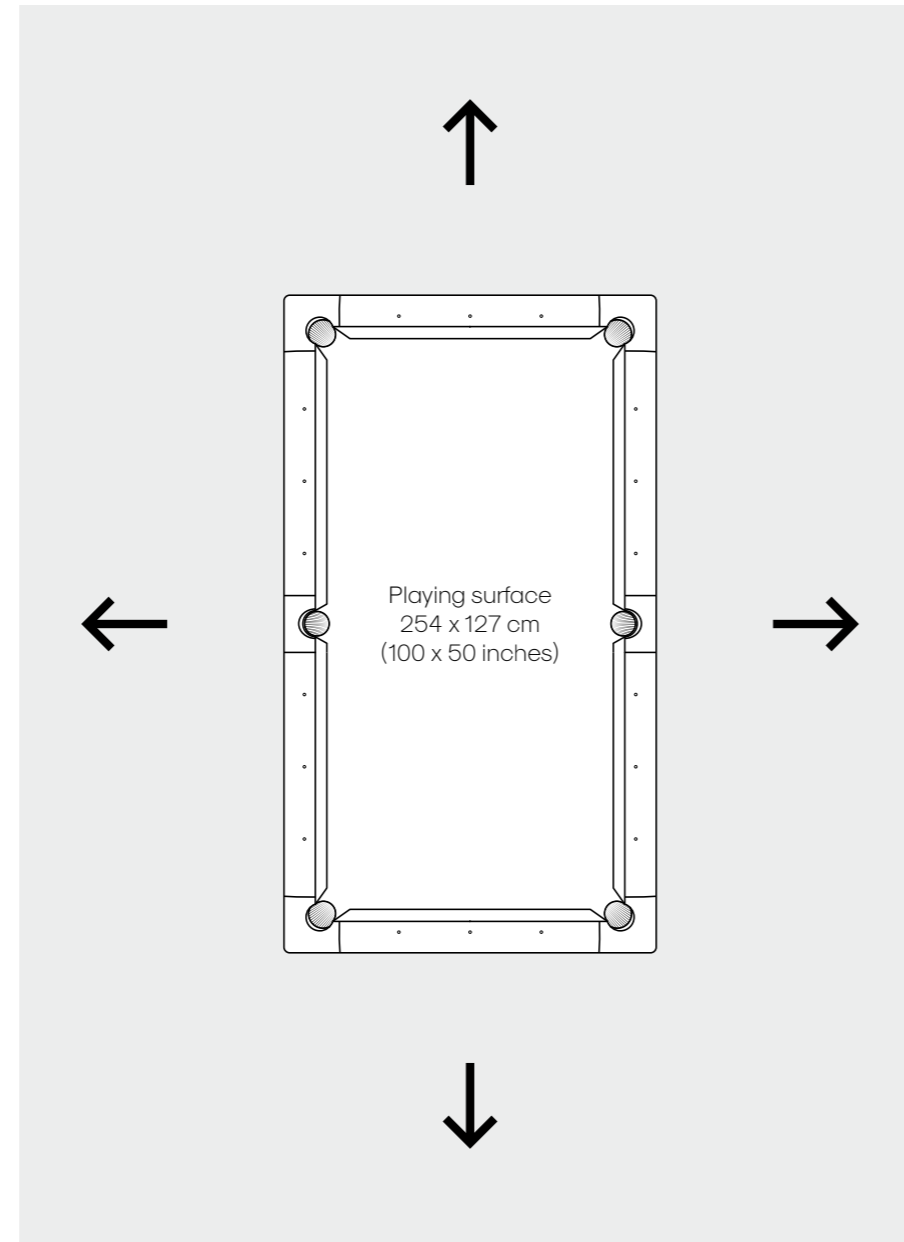
Quick play.

Professional Gorina® cloth offering superior durability and a smoother, faster game.

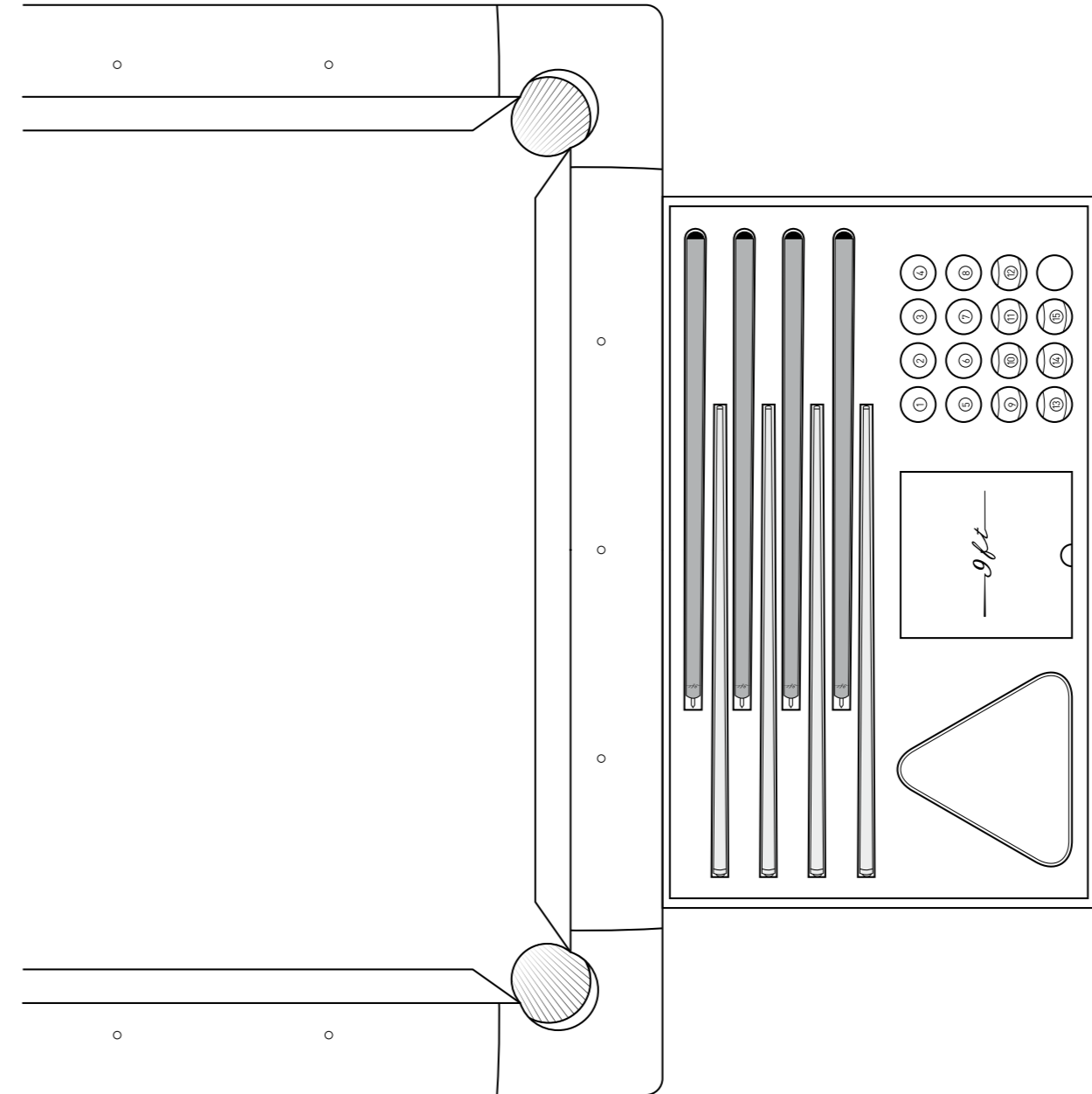
Acoustic comfort.

Noise-reducing embrasures and cribs for elastomer-injected balls.

Inside every table there is hidden technology that allows for professional level play. Both interior and exterior are designed by with only the best materials from industry-leading manufacturers.



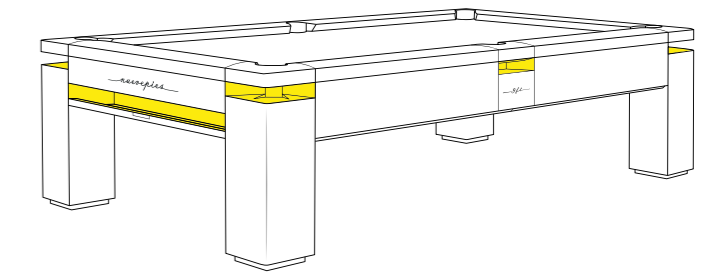
Recommended minimum play area: 500 x 400 cm
(197 x 158 inches)



Fully equipped.

Integrated electronics system.

With a power switch, LED lighting, game reset, and automatic shut-off.



Accessories drawer.

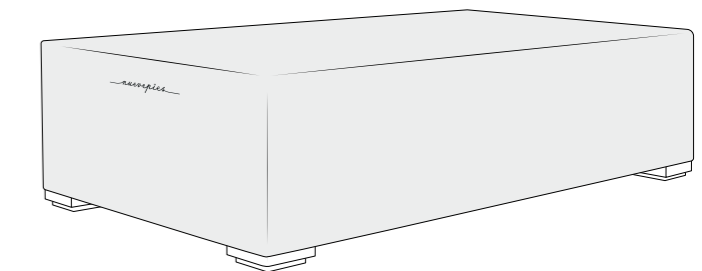
Fully-extractable drawer with automatic opening and Blum rails.

Contains 4 two-piece cues, a set of Super Aramtih Pro balls, a rack, and a box to store the chalk and cloth brush.

Professional cues manufactured by hand, made to match the finish of the table and has with tips made of natural maple wood.

Sights optional.

Cover.

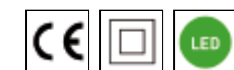


Lamps.

Exclusive Nuevepies design.
Two different sizes L (large) and M (medium)

Technical specifications.

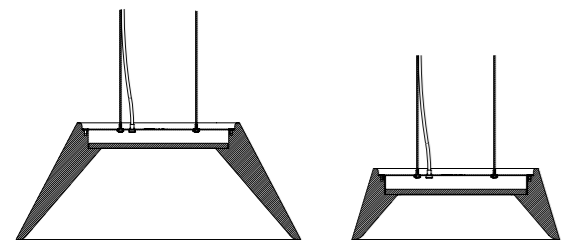
Led light source.
Nominal luminous flux: 4.800 Lm
Color temperature from 2.700K to 6.500K
Equipped with a Bluetooth® technology
Real power 35W
Real luminous flux 3.406 Lm
Electric classification: Category 2
Electrical feeding 220 240V.50/60Hz
Energy efficiency class: A+



Measures.

Lamp L
150 x 60 x 25 cm (Length x Width x Height)
59 x 23 x 10 inches

Lamp M
135 x 42,5 x 15 cm (Length x Width x Height)
53 x 17 x 6 inches



Lamp L

Lamp M

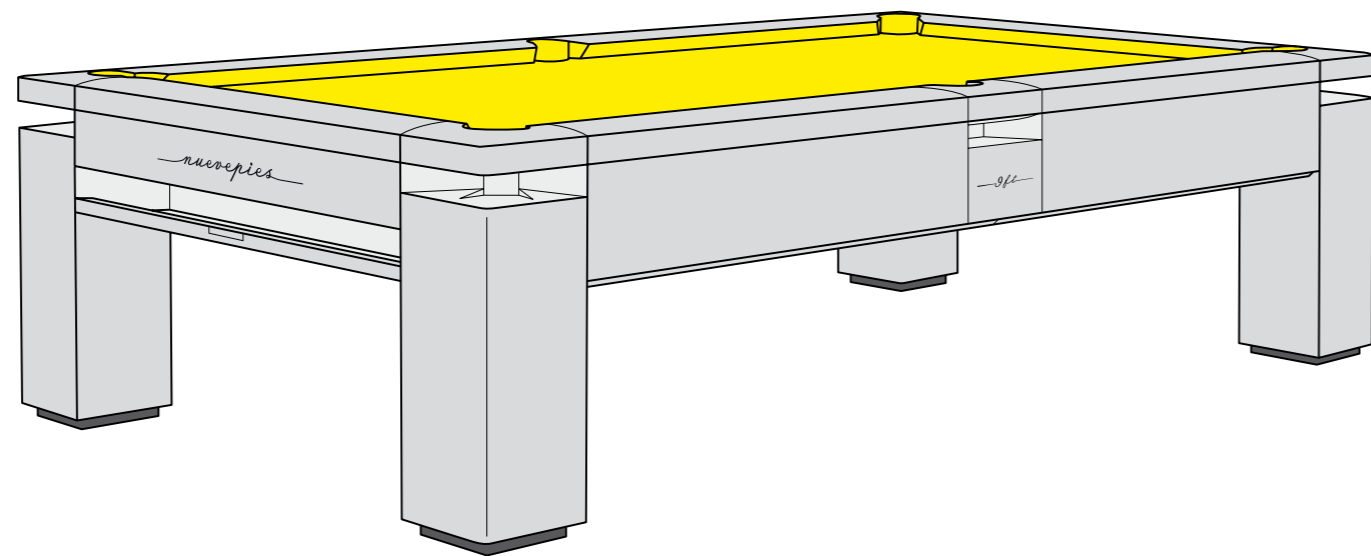
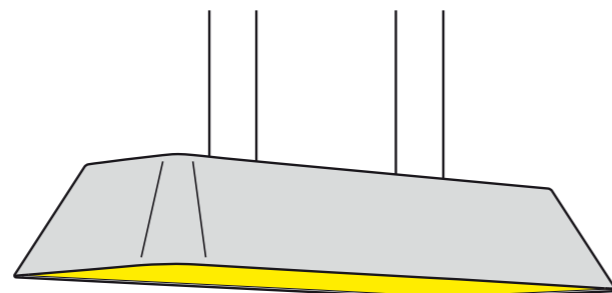
Function of light intensity control activated
through an App or remote control.

Materials and finishes.

Smart panel by Troll.
Diffuser in opal polycarbonate
Body: 3D-Printing by Adaequo
Satin lacquered finish.

Colors.

White, black, grey and red.
Other colors upon request.



Monocolor Black is Black.

Radically dark.
Better than a grand piano.

Materials.

Satin lacquered finish.
Gorina cloth in black.



Contact & Sales.

Nuevepies Barcelona SL
Lope de Vega 106, 1ª planta
08005 Barcelona, Spain
sales@nuevepies.com

nuevepies.com

Bespoke dreams.

Looking to personalize your table? Our team of designers and engineers will work with you to turn your dream into reality.

kvadrat

GORINA
CLOTH

 **aramith.**